



## AZEK Porch Installation Guidelines

AZEK Porch should be installed using the same good building principals used to install wood or composite porch and in accordance with the local building codes and the installation guidelines included below. AZEK Building Products Inc. accepts no liability or responsibility for the improper installation of this product. AZEK Porch may not be suitable for every application, such as not being suitable for waterproof applications, and it is the sole responsibility of the installer to be sure that AZEK Porch is fit for the intended use. Since all installations are unique, it is also the installer's responsibility to determine specific requirements for each Porch application. AZEK Building Products recommends that all applications be reviewed by a licensed architect, engineer or local building official before installation. If you have any questions or need further assistance, please call AZEK Customer Service at 1-877-ASK-AZEK, (877) 275-2935 or visit our website at [www.azek.com](http://www.azek.com).

### PREPARATION

***Joists should be sloped at 1/4" per foot away from the house to facilitate drainage.***

- If using AZEK Porch board on an existing porch, remove existing flooring and make sure joists are structurally sound, free of nails and spaced at a maximum of 16" center to center.
- For new construction, space joists at 16" on center maximum and slope the joists away from the house at 1/4" per foot.
- If installing porch plank at 45° angle, space joists at 12" centers.
- AZEK Porch has a maximum span of 16".
- Ensure that all joists are crowned correctly and that all joists are level across the top as AZEK Porch will conform to the surface contour of the substructure.
- Be sure to install sufficient wood blocking below areas where railing posts will be installed.
- Provide proper structural support below AZEK Porch where load bearing columns are present.
- Items related to stair construction, structural framing or any other general construction questions should be reviewed with the local code authority, engineer, or architect.

### TOOLS REQUIRED

- AZEK Porch can be installed using the same tools you would use to install wood porch products.
- Corded or cordless driver/screw gun may be used.
- Self-feeding screw guns can be used. Check with manufacturer for compatibility with AZEK Porch.
- Miter saw with a fine-toothed, carbide tipped finish trim blade works well for cutting.
- As with installing a wood porch, safety glasses should be worn during the entire installation process.

### FASTENERS

- Listed are several suggested fastening methods. Additional fastening methods may exist for AZEK Porch.
- Minimum #7 x 2" 305 stainless steel trim head screw with #17 drill point.
- When using a pneumatic flooring nailer, we suggest using barbed/serrated 2" stainless steel cleat "T" nails or "L" cleats.
- For salt water coastal applications, we suggest using the above minimum fastener requirements in 316 stainless steel fasteners.
- Please contact fastener manufacturer to ensure availability, compatibility, and proper use with AZEK Porch.

### EXPANSION AND CONTRACTION

- When fastened properly, AZEK Porch will demonstrate minimal changes due to expansion and contraction. The expansion and contraction encountered may result in slight gaps which might be noticed at the ends of boards or in splice joints. Best practice is to cut and fasten AZEK Porch boards as soon after cutting as possible.
- When ambient temperature is above 32°F, install the boards together tightly at splices or miters.
- When ambient temperature is 32°F or below, allow approximately a 1/16" gap on each end of the run.
- Be sure to fasten ends of boards, splices, or abutments to building or structure securely into framing using a screw which is positioned within 1/2" of each board end or joint.
- Expansion and contraction are most significant where extreme temperature change may exist.
- For best results, stagger splices and miters across the porch surface so that all splices and miters do not break on the same joist.

### CONSIDERATIONS

- Depending on environmental conditions, AZEK Deck colors may appear to lighten over time as part of the natural weathering process.
- Please be aware that excessive heat build on the surface of AZEK products from external sources such as but not limited to fire, or reflection of sunlight can potentially lead to damage. For example, sunlight which may be reflected by low-emissivity (Low-E) glass can potentially lead to damage of exterior building products, including AZEK Deck, Trim, Moulding or Railing products, due to elevation of surface temperatures which far exceed that of normal exposure of the same materials to direct sunlight. Possible damage by such reflected concentrated light may include melting, sagging, warping, distortion, surface discoloration, increased expansion or contraction, and unusual weathering.
- Although AZEK Porch is cooler to the touch than many other porch boards in similar colors, all porch products will get hot in the sun. Additionally, the darker the porch color, the hotter it will feel.
- Always remove jobsite dust, clay, dirt, mud, and other construction products from AZEK Porch quickly. Do not allow construction dirt and debris to sit on the AZEK Porch surface.
- IMPORTANT: Do not allow airborne dust from concrete, landscape blocks, or any masonry product to accumulate on the AZEK Porch surface as it may damage the surface of the porch. Do not cut any product on or near AZEK Porch.
- AZEK Porch is not intended to be waterproof and should not be used in any waterproof application.
- Caulks, adhesives or other products should not be used in the tongue and groove areas of AZEK Porch.

## INSTALLATION DETAILS

- AZEK Porch is one-sided with the grain side up for the walking surface.
- Install starting board with grooved edge against the house or on the outside edge of the porch if the boards will run perpendicular to the house.
- Attach the starting board by first installing fasteners down through the board at the edge nearest the groove.
- Then attach at each joist by driving a fastener through the tongue at the approximate angle shown in the Diagram 1.
- Fasteners should seat approximately 1/16" into the surface of the product above the tongue as shown to allow for complete insertion of the next board.
- AZEK Porch must be fastened tight to joist. If there are variations in framing, shims may be required.
- Install the next board by inserting the grooved edge over the exposed tongue on the starting board. It may be necessary to apply light pressure to ensure the board is engaged completely to minimize irregularity in top seam.
- After board is fully engaged onto the starting board, drive fasteners through the tongue at each joist as shown in Diagram 2. Remember to countersink the fasteners slightly to provide necessary clearance when installing the next board.
- Continue to add boards per steps 3 and 4 until outer edge of porch is reached.
- Final board may require removal of tongue or rip cutting to a necessary width. Use a table saw or circular saw to accomplish this. Attach the last board by face fastening through the top or toe fasten along the outer edge.

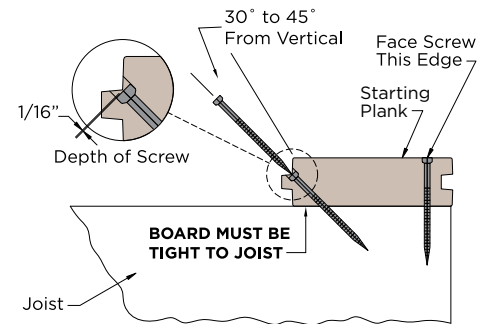


Diagram 1

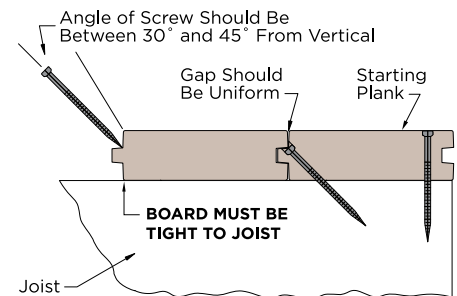


Diagram 2

## PERIMETER DETAILS

- There are many options for completing the look of your AZEK Porch; a few are listed here.
- Rout outside edge with a carbide tipped router bit as desired.
- Cover exposed edge with AZEK Trim or AZEK Deck rim joist cover.
- Picture frame the entire porch using AZEK Deck 1 x 3 1/2 or 1 x 5 1/2 as a border. If this option is desired, layout porch accordingly to accommodate variance in spacing and height.
- Attach AZEK Moulding to exposed edge.

## STAIR DETAILS

- AZEK Porch may be used for stair treads. AZEK Deck 1" x 5 1/2" may also be used. AZEK Deck rim joist cover or AZEK Trim can be used to trim out the risers.
- To meet AC174 requirement, install stair stringers at a maximum of 11" on center.
- Some codes may require specific framing or structural requirements. Check with your local code authorities pertaining to specific stair requirements.

## CARE AND MAINTENANCE

To keep your AZEK Porch looking its best:

- It is recommended that you wash your porch periodically with ordinary household products to remove stains, dirt and debris.
- To remove rust stains, use a household cleaner such as a toilet bowl cleaner.
- Avoid the use of rubber-backed mats, tarps, pool toys, and other non-porous items on the porch for an extended period of time as these items may cause discoloration to the porch surface.
- Some products, such as sunblock and insect repellent, contain chemicals that may alter the surface of AZEK Porch. Check product labels and consult with the manufacturer as to product compatibility with plastic materials, such as AZEK Porch, prior to use on or near AZEK Porch.
- Do not get any PVC glue or similar product on the surface of an AZEK Porch as it may discolor and permanently damage the AZEK Porch surface.

For ice removal:

- Most products containing calcium chloride can be used without damage to the porch surface.
- These products may leave a white residue which can be cleaned using the cleaning guidelines above.

(These guidelines may not cover every care and maintenance scenario encountered. For additional questions about care and maintenance, call (877) ASK-AZEK.)

## PAINTING

- Painting is not recommended for AZEK Porch.