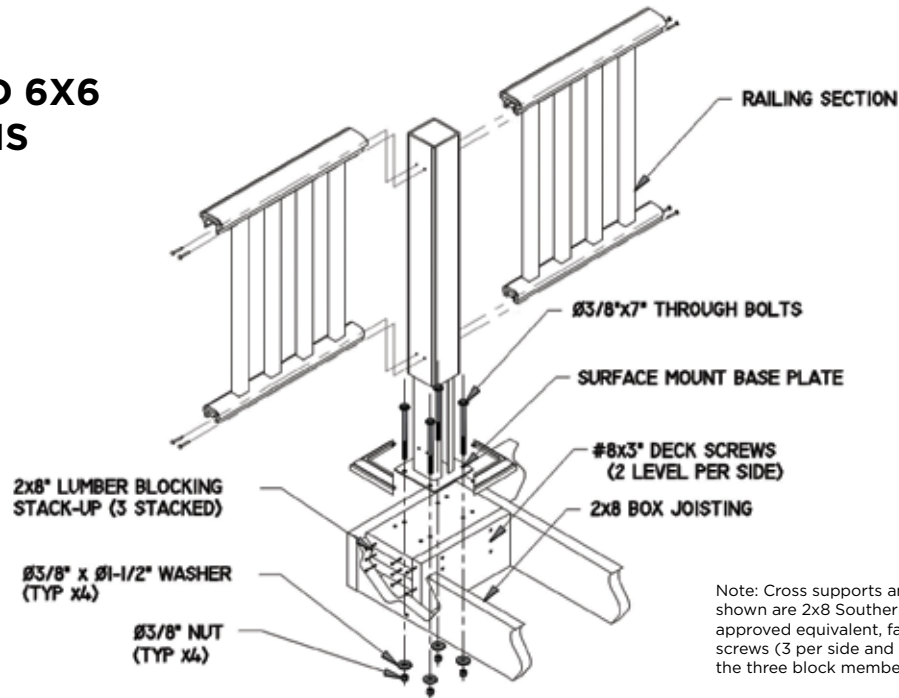


4X4, 5X5 AND 6X6 APPLICATIONS



Note: Cross supports and reinforcements shown are 2x8 Southern Pine (treated) or approved equivalent, fastened by #8 x 3" deck screws (3 per side and 3 per end in each of the three block members).

NOTES:

- 1) There are 4 sizes of Tallboy Brackets available - 34", 36", 40", and 42". For the over the post application, use the 34/40s and for the hidden bracket system use the 36/42s.
- 2) Hidden fasteners cannot be used with the AZEK Reserve over the post system.
- 3) Tallboy Surface Mount Brackets are also available in 22.5° profile in 34"/36" and 40"/42" heights.

1. PLACEMENT

Center the Surface Mount Bracket (SMB) at each post location and mark the mounting hole locations on the surface. Position the open slot away from all fastening locations.

2. MOUNTING INSTRUCTIONS:

Mark SMB mounting locations onto the deck surface.

- **Concrete installation:** Drill marked mounting locations with a 3/8" diameter Masonry bit to accept 3/8" diameter x 4" wedge anchors. Gently tap the anchors into the drilled holes.
- **Wood Installation:** There must be a solid base on which to fasten the SMB. A 5" minimum thick blocking must be securely fastened to the structure prior to installation of the SMB.

Note: DO NOT install SMB to decking surface only. Make sure there is adequate structure to secure as stated above. You may secure SMB on top of deck surface if adequate blocking is underneath. The SMB is to be installed using 3/8" diameter x 5" lag bolts (the lag bolts will require a 1/4" pilot hole to ensure the wood foundation blocking does not split).

3. FASTENING

- Place the SMB over the mounting locations. Lightly tighten the mounting fasteners so that the SMB can still move freely, but tight enough for the SMB to sit flush with the mounting surface.
- When installing with 5x5 Post Sleeve, fully secure, tighten and plumb Surface Mount Bracket prior to sliding 5x5 Post over Surface Mount Bracket.

4. SMB ADJUSTMENTS

If the SMB is out of plumb or not level, add shims to the base of the SMB. Check for plumb and square. Repeat until correct.

5. INSTALL RAIL SECTION

- Cut the post sleeves to the desired length and slide them over the SMBs, squeezing the top of the SMB to start the post sleeve and slide it down until flush with the base.
- Place assembled rail section between the posts and mark the bracket hole locations onto the post sleeves as per the Railing Installation Guide supplied with the railing kit.
- ***IMPORTANT: Drill with a 7/32" diameter drill bit when using the 2" Phillips/square drive bracket screws. Drill with a 5/32" diameter bit when using the 2.5" T-25 bracket screws. (*THIS DRILL SIZE IS CRITICAL*).** Drill through both the post sleeve and SMB.
- **TIP: Start all Bracket Screws prior to fully tightening bracket screws.**
- **DO NOT OVER TORQUE THE SCREWS** in the Tallboys. Tighten only until screws are seated. For best results, we recommend a high torque, low speed setting on your drill.
- With all holes drilled, place rail section between posts and install as per the Railing Installation Guide.

6. FINAL STEP

With all rail sections installed, tighten all the SMB base fasteners. Install the 2 piece post skirts supplied in the SMB kit (if you have purchased the SMB alone, you will need to purchase a 2 piece post skirt to hide the base and fasteners).

- **For Concrete installation:** If the concrete anchors have tightened leaving too much thread exposed for the 2 piece post skirt to install properly, it may be necessary to cut the top of the wedge anchor so it no longer interferes with the skirts snapping assembly).